

60cm freestanding dishwasher, stainless steel, with 14 place settings, 5 wash programs including Fast 30' and SensorWash, FastDry system, half load option, adjustable upper basket and 47dB operation.



Product Details

FEATURES

14 place settings	Wash programs - 5	SensorWash	Fast wash programs
Time Save program	Half load option	Height adjustable upper basket	Modular cutlery basket
Wash progress indicator	Water safety system	Quiet operation	Delay Start - 3, 6 & 9 hours

BENEFITS

Fast drying time
Say goodbye to damp dishes with our FastDry system, designed to swiftly whisk away humid air for sparkling dry results every time. Our system dehumidifies hot steam before expelling it from the dishwasher, ensuring minimal humidity remains. With FastDry, enjoy spotless streak free dishes in no time.

Adjusting the right cycle for you
Sensing the level of grime on your dishes, our super smart sensor adjusts the temperature on top of the wash cycle length to ensure the best results. As well as saving water.

Make room for larger items
Those extra-large items can now fit with ease in the bottom basket with our height adjustable upper basket. Just simply lift the basket to click in place to fit the most awkward item underneath.

Faster wash, when you need it
When it comes to doing the dishes you can choose the program that suits you, whether you have a few dishes, half a load or a full load you can choose our Fast 30, Time Saver or Half Load program.

Specifications

PRODUCT PROFILE

Domestic warranty details (yrs)	2
---------------------------------	---

Type of Dishwashers	freestanding
---------------------	--------------

Place settings	14
----------------	----

Drying system	turbo dry
---------------	-----------

Number of spray arms	2
----------------------	---

Top shower	No
------------	----

DIMENSIONS

Total height (mm)	850
-------------------	-----

Total width (mm)	598
------------------	-----

SPECIFICATION

Water Efficiency Star Rating	5
------------------------------	---

WELS Registration Number	D02960
--------------------------	--------

Water consumption (litres)	11.5
----------------------------	------

Energy Efficiency Star Rating	3.5
-------------------------------	-----

Energy consumption cold water (kWhr/yr)	275
---	-----

Noise level dBA	47
-----------------	----

Water supply	cold or hot (maximum 60°C)
--------------	----------------------------

Basket colour	grey
---------------	------

Service cord length	180
---------------------	-----

WASH PROGRAMS

Number of Programs	5
--------------------	---

DIMENSIONS

Total depth (mm)	598
Height adjustment (mm)	20

CONTROL PANEL

Control panel type	Push button electronic
Top mounted control panel	No
Control panel finish	silver
Knob or button finish	silver
Display indicators	rinse aid,on/off ,wash program,half load ,delay start,End,Self Clean

EXTERIOR

Door finish	stainless steel
Side colour	grey
Plinth colour (kickboard)	stainless steel

WASH PROGRAMS

Programs	fast 30min,Eco 50°C,Time Save 50 minutes,Delicate,SensorWash Heavy (60 - 70°C)
Wash option	Half Load

FEATURES

Other Features	delay start,Soil Level Sensor
Water safety system	overflow protection
Filter system	3 stage
Dispenser	detergent,rinse aid
Number of spray levels	2

UPPER BASKET

Upper basket features	adjustable top basket,Knifeshelf
Foldable cup shelves	2

LOWER BASKET

Lower Basket Features	cutlery basket
-----------------------	----------------

Foldable Racks	4
----------------	---

SHIPPING

Shipping Weight (Kg)	46
----------------------	----

Pack Dimensions Height (mm)	881
-----------------------------	-----

Pack Dimension Width (mm)	644
---------------------------	-----

Pack Dimension Depth (mm)	661
---------------------------	-----

HOSES

Inlet hose length	147
-------------------	-----

Drain hose length	180
-------------------	-----

Inlet hose length (metres)	1.47
----------------------------	------

Drain hose length (metres)	1.80
----------------------------	------

STUFFING QUANTITIES

20ft	48
------	----

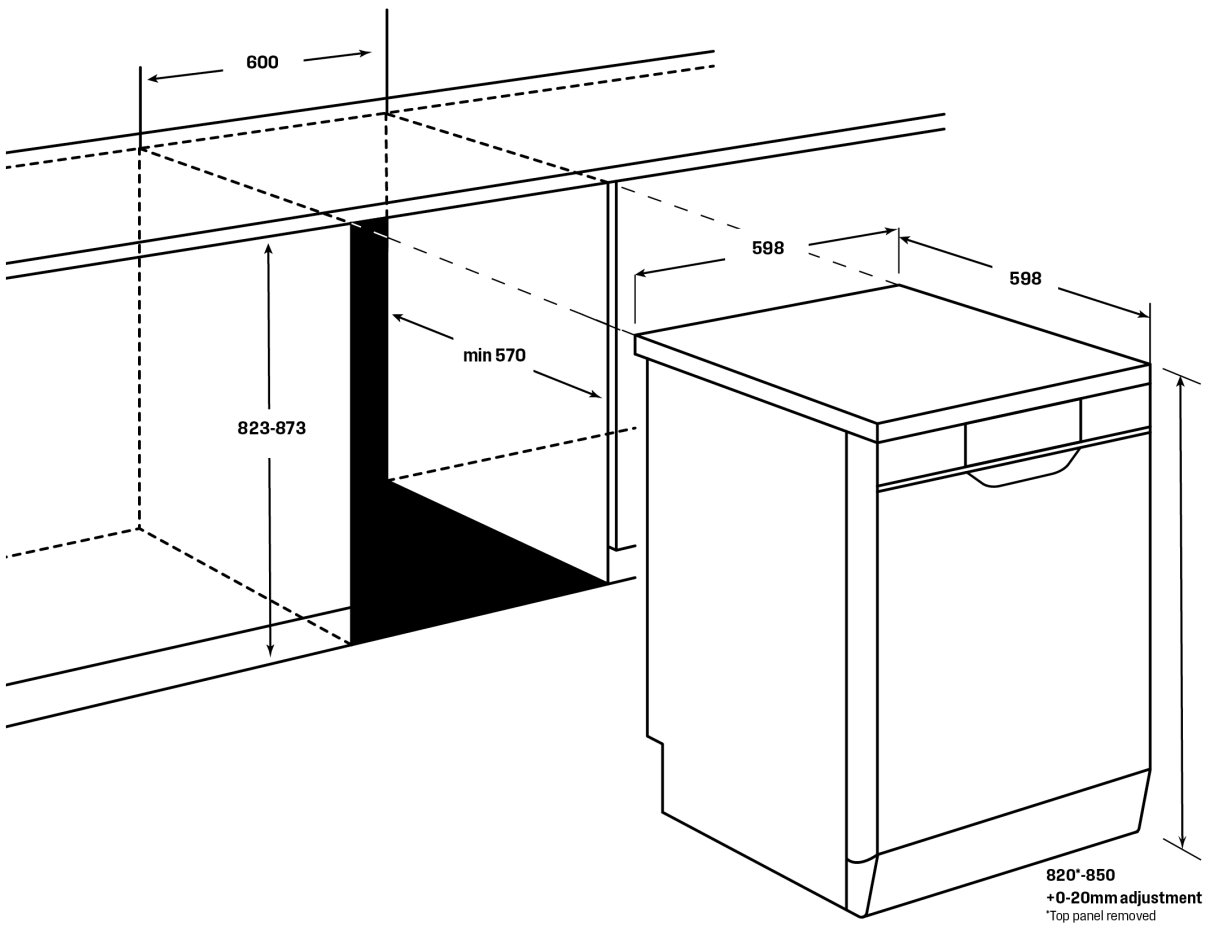
40ft	102
------	-----

40ft HC	153
---------	-----

Dimensions

Freestanding Dishwasher

WSF6602WB / WSF6602XB
WSF6604WB / WSF6604XB
WSF6606XB / WSF6606KXB
WSF6608XB / WSF6608KXB



IMPORTANT

These dimensions are a guide only. All measurements are in millimetres (mm).
For complete installation instructions, refer to the manual provided with product.

Terms and Conditions

IMPORTANT

This is a guide of product dimensions only. For complete installation instructions, refer to the manual provided with product.

PRODUCT INFORMATION

The descriptors and illustrations in this publication apply to the specific products and models described as at the date of issue. Under our policy of continuous product development, product specifications may change without notice. Prospective purchasers should therefore check with their retailer to ensure this publication correctly describes the products that are being offered for sale. All information supplied is to be used for general reference purposes only and is on the understanding that Electrolux Home Products Pty Ltd (Australia) and Electrolux (NZ) Ltd (New Zealand) will not be liable for any loss, liability or damage of whatever kind arising as a result of reliance on such information. Colours of products illustrated are as close as printing limitations allow. Electrolux will at all times comply with its obligations pursuant to law including Trade Practices (Australian Consumer Law) Act and Regulations.

WARRANTY

This warranty only applies to Appliances purchased and used in Australia or New Zealand and used in normal domestic applications and is in addition to (and does not exclude, restrict, or modify in any way) any non-excludable statutory warranties in Australia or New Zealand. All warranties are subject to the conditions set out in the warranty card accompanying the product when purchased.

ELECTROLUX HOME PRODUCTS AUSTRALIA

telephone: 1300 363 640

fax: 1800 350 067

email: customercare@electrolux.com.au

web: www.electrolux.com.au

ELECTROLUX HOME PRODUCTS NEW ZEALAND

telephone: 09 573 2230

fax: 09 573 2221

email: customercare@electrolux.co.nz

web: www.electrolux.co.nz